

ACCUSHOT 2

PRECISION SOLUTION DELIVERY



AccuShot 2

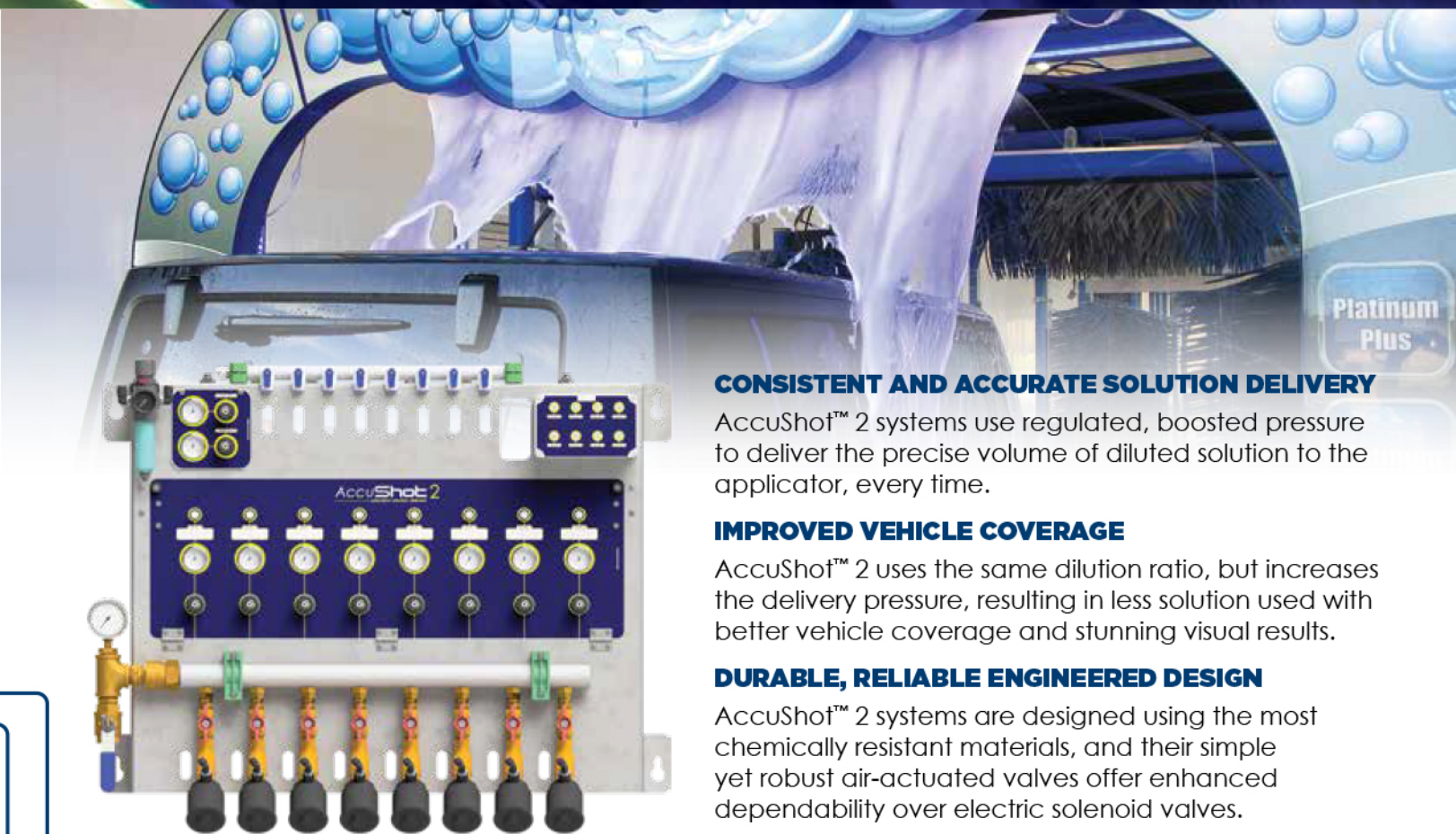
precision solution delivery

PRODUCE CONSISTENT AND ACCURATE SOLUTION DELIVERY CAR AFTER CAR!

Improved Chemical Performance • Use Less Water and Chemistry • Deliver Better Vehicles

The AccuShot™ 2 delivers powerful performance, control, and efficiency in a compact, stainless steel panel measuring 39" X 28". Its 8-port manifold, with optional triple foam, supports both low and high flow injectors, while flexible mounting allows for quick, seamless retrofit installations over existing utilities.

Built for reliability and ease of use, it features color-coded quick-connect Dema Rocket injectors, pneumatically actuated valves, and a clean inline layout for simple operation and fast adjustments. Individual port controls, manual override buttons with LED indicators, and easy-access maintenance maximize uptime and keep your system running at peak performance. Powered by Grundfos pumps with integrated VFDs, AccuShot™ 2 delivers the performance and dependability your operation demands.



Brass Model with Triple Foam shown above

CONSISTENT AND ACCURATE SOLUTION DELIVERY

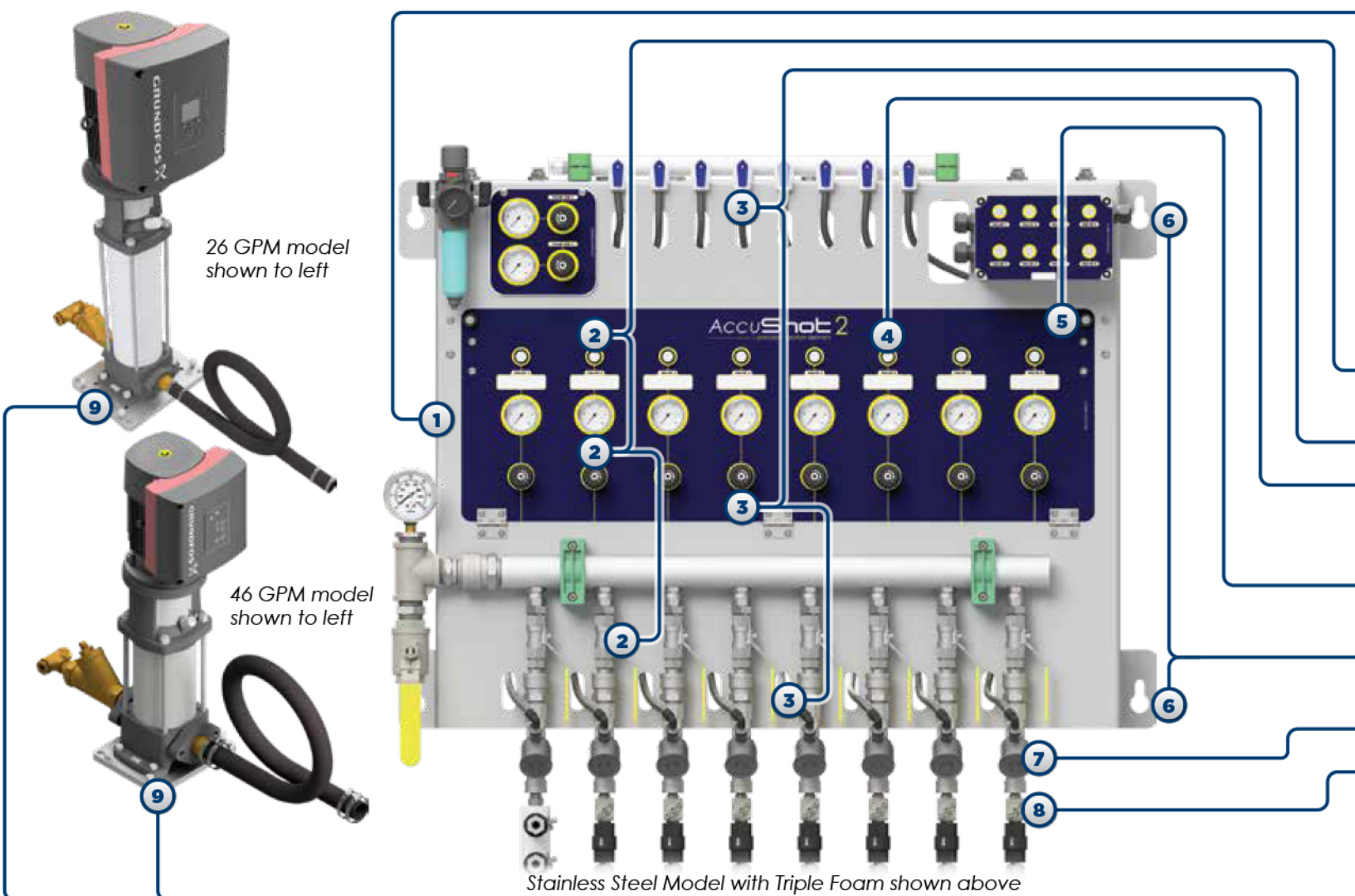
AccuShot™ 2 systems use regulated, boosted pressure to deliver the precise volume of diluted solution to the applicator, every time.

IMPROVED VEHICLE COVERAGE

AccuShot™ 2 uses the same dilution ratio, but increases the delivery pressure, resulting in less solution used with better vehicle coverage and stunning visual results.

DURABLE, RELIABLE ENGINEERED DESIGN

AccuShot™ 2 systems are designed using the most chemically resistant materials, and their simple yet robust air-actuated valves offer enhanced dependability over electric solenoid valves.



Stainless Steel Model with Triple Foam shown above

ACCUSHOT™ 2 FEATURES:

- 1 **Space Efficient** - Stainless steel panel delivers a durable, compact and functional layout offering an 8-Port manifold, with optional triple foam, that accepts both low and high flow injectors. The AccuShot™ 2 Panel is only 39"W X 28" tall.
- 2 **Clean and Organized Inline Design** - Easily associate which regulator, gauge, valve, and injector are for each specific application from left to right utilizing panel mounted gauges and regulators.
- 3 **More Uptime** - Easily isolate and control each individual port with air and fluid control valves.
- 4 **More Control** - Easily activate any application with the incorporated manual override button on each port featuring Visible application confirmation LED lights that illuminate when the application is activated.
- 5 **Easy Access** - Pneumatic controls that are mounted on the reverse side of the hinged control panel with two thumb bolts.
- 6 **Flexible** - Panel mount design that allows you to straddle over existing conduit and miscellaneous utility lines already mounted in the back room for an easy retrofit installation.
- 7 **Durable and Reliable** - Pneumatically actuated water valves available in brass or stainless steel design.
- 8 **Quick and Easy Maintenance** - Color-coded stainless steel quick connect Dema Rocket injectors are easy to install and replace.
- 9 **Powerful** - Grundfos pumps with integrated VFD's available offering flow capacity of 26 GPM and 46 GPM.



Motor City Wash Works, Inc.

48285 Frank Street

Wixom, Michigan 48393 USA

p: 866.362.6377 • **f:** 248.313.0271

e: sales@motorcitywashworks.com

w: motorcitywashworks.com

GET MORE
GET MOTOR CITY™

Copyright © 2026 Motor City Wash Works, Inc. All rights reserved.
Prices and availability subject to change without notice.